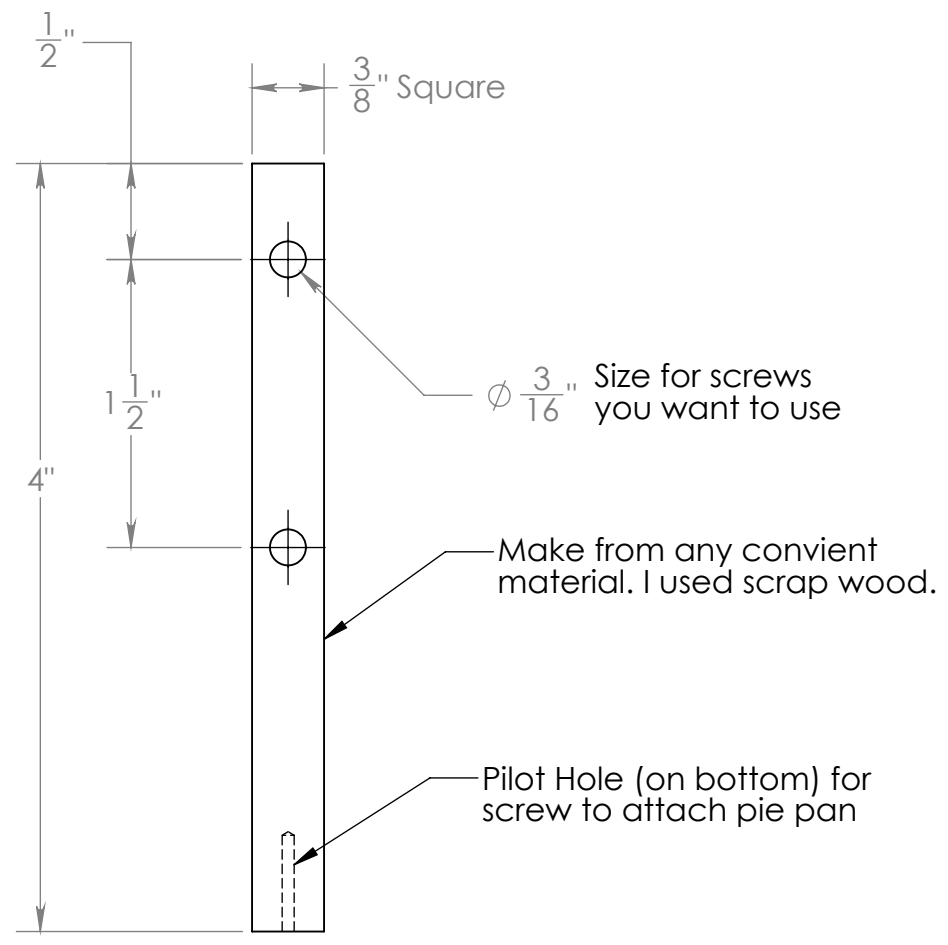
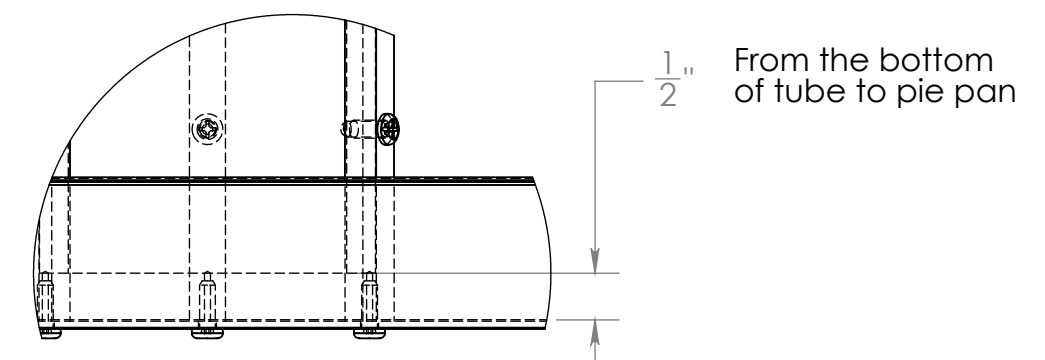
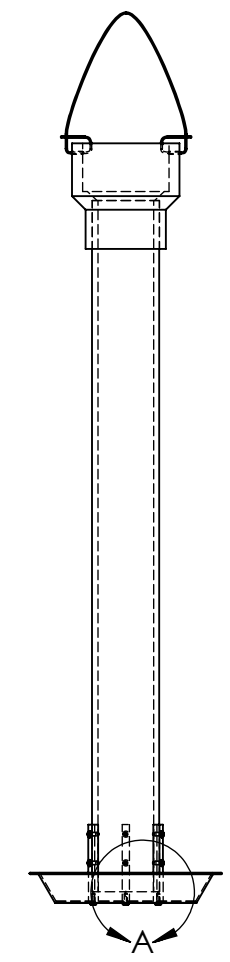
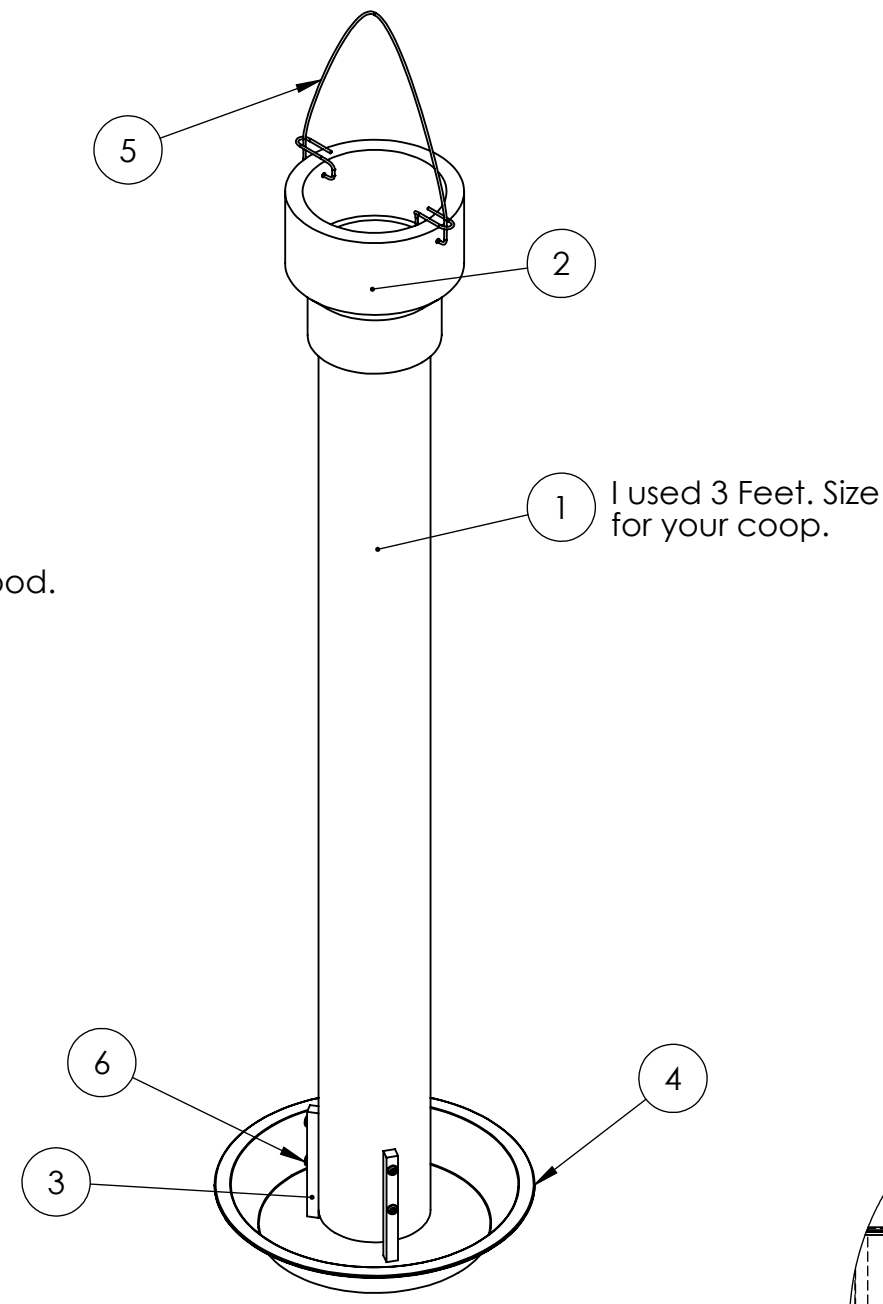


**NOTES:**

REVISIONS		
REV.	DESCRIPTION	DATE



**Pan Holder**



**DETAIL A  
SCALE 1 : 2**

ITEM NO.	Description	Name	Pur Material	QTY.
1	Pipe, PVC,	Feeder	3" SCH 80	1
2	Reducing Coupling, PVC	Soc x Soc	4" x 3" SCH80	1
3	Pan Holder	Pan Holder	Scrap Wood	3
4	Pie Pan	Pie Pan	9" x 1 1/2" Metal	1
5	Hanger Wire	Galv. Fencing Wire	12 Gauge (0.081")	1
6	Self Taping Screws		#8 x 1/2"	9

**CONFIDENTIAL**  
DO NOT USE OR REPRODUCE WITHOUT AUTHORITY OF IGT. COPYRIGHT IGT. ALL RIGHTS RESERVED.

**KowCo**

**Chicken Feeder**

UNLESS OTHERWISE NOTED  
DIMENSIONS ARE IN INCHES

TOLERANCES:  
ANGULAR ± 0.5  
FILLETS ± 0.005 - 0.200  
RADIUS ± 0.005 - 0.015  
MACHINED SURFACE FINISH 3.2

.X ± 0.050  
.XX ± 0.020  
.XXX ± 0.010

SIZE **B** DWG. NO. Top Level REV. **1.1**

SCALE:1:6 DO NOT SCALE DRAWING SHEET 1 OF 1