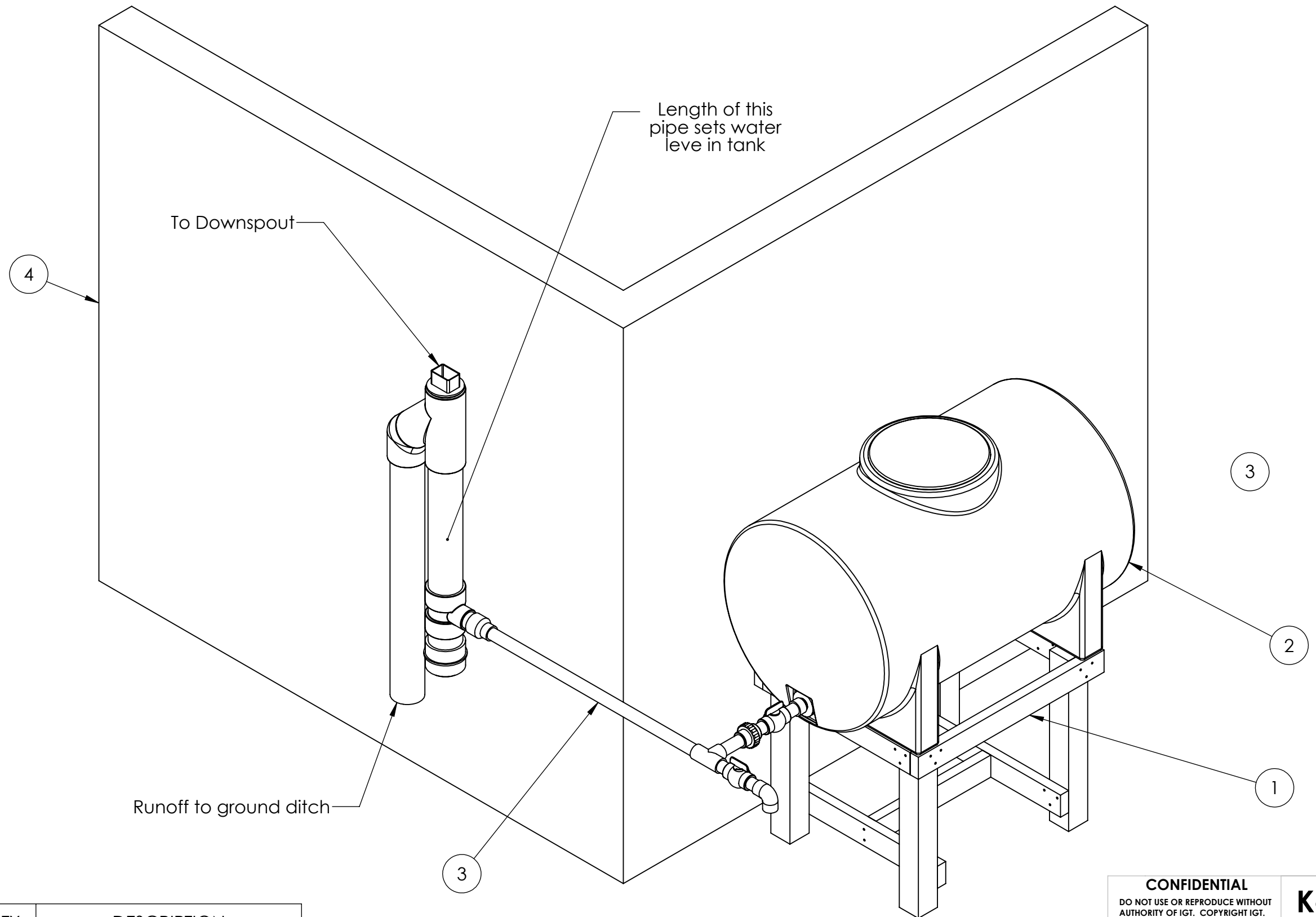


8 7 6 5 4 3 2 1

NOTES:

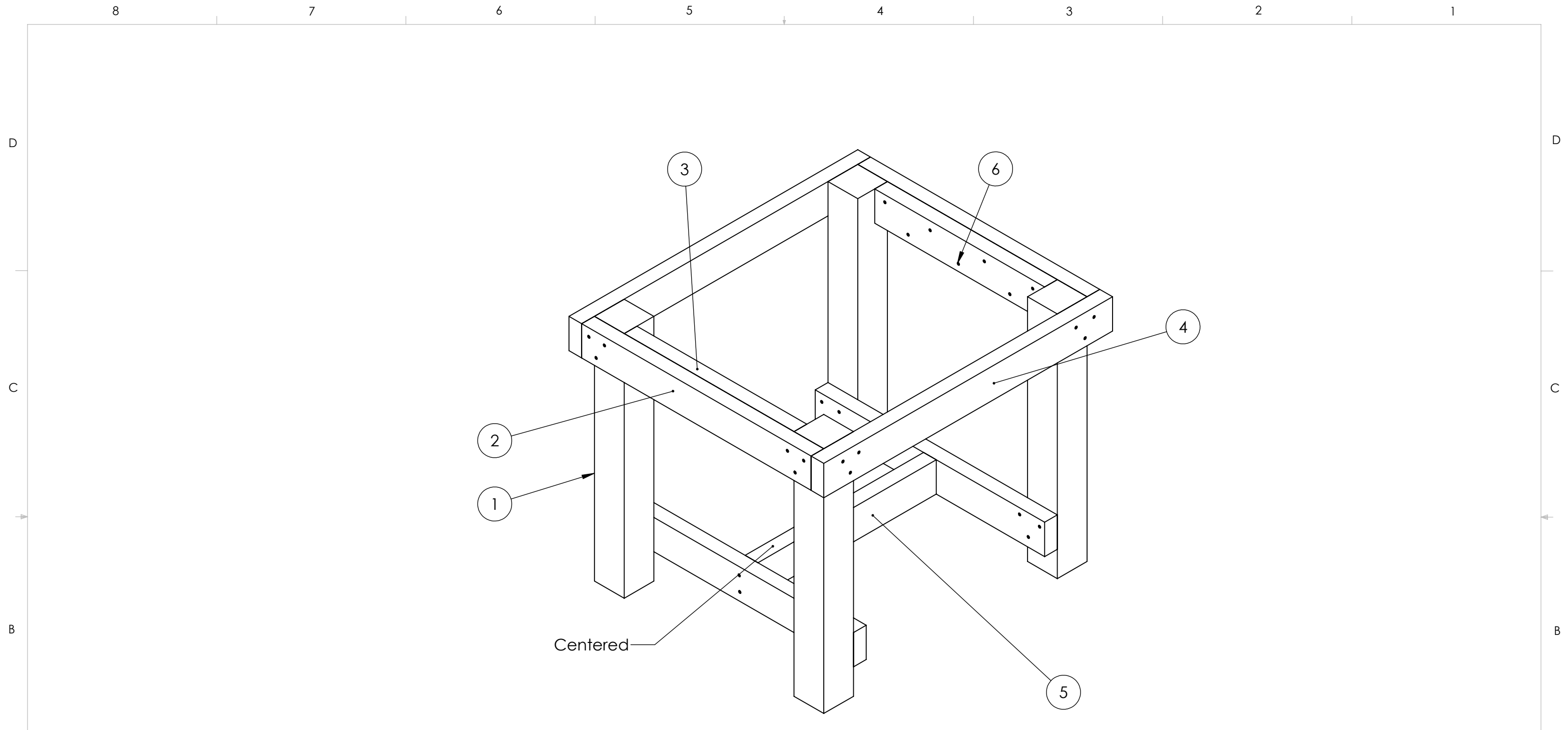
REVISIONS		
REV.	DESCRIPTION	DATE



ITEM NO.	QTY.	DESCRIPTION
1	1	Stand
2	1	Holding Tank, 125 Gal
3	1	Plumbing Assy
4	1	House Corner Representation

<b>CONFIDENTIAL</b> DO NOT USE OR REPRODUCE WITHOUT AUTHORITY OF IGT. COPYRIGHT IGT. ALL RIGHTS RESERVED.		<b>KowCo</b>	
UNLESS OTHERWISE NOTED DIMENSIONS ARE IN INCHES		Rain Catch System	
TOLERANCES: ANGULAR ± 0.5 FILLETS ± 0.005 - 0.200 RADIUS ± 0.005 - 0.015 MACHINED SURFACE FINISH 3.2		SIZE <b>B</b>	DWG. NO. Top Level
.X ± 0.050 .XX ± 0.020 .XXX ± 0.010		SCALE:1:14	DO NOT SCALE DRAWING
		SHEET 1 OF 3	REV. <b>1.1</b>

8 7 6 5 4 3 2 1



ITEM NO.	Name	Description	Pur Material	QTY.	Cut Length	Parts / Unit Pur	Remainder Length	Pur Qty
1	Leg	Dim Lumber PTreated	4 x 4 x 96	4	27"	3	15"	2
2	Front / Back	Dim Lumber PTreated	2 x 4 x 96	4	27"	3	15"	2
3	Doubler	Dim Lumber PTreated	2 x 4 x 96	2	27"	3	15"	1
4	Side	Dim Lumber PTreated	2 x 4 x 96	2	34"	2	28"	1
5	Stretcher	Dim Lumber PTreated	2 x 4 x 96	1	21"	4	12"	1
6	#10x2.5	Deck Screw		54		1	0.0	54

**CONFIDENTIAL**  
 DO NOT USE OR REPRODUCE WITHOUT  
 AUTHORITY OF IGT. COPYRIGHT IGT.  
 ALL RIGHTS RESERVED.

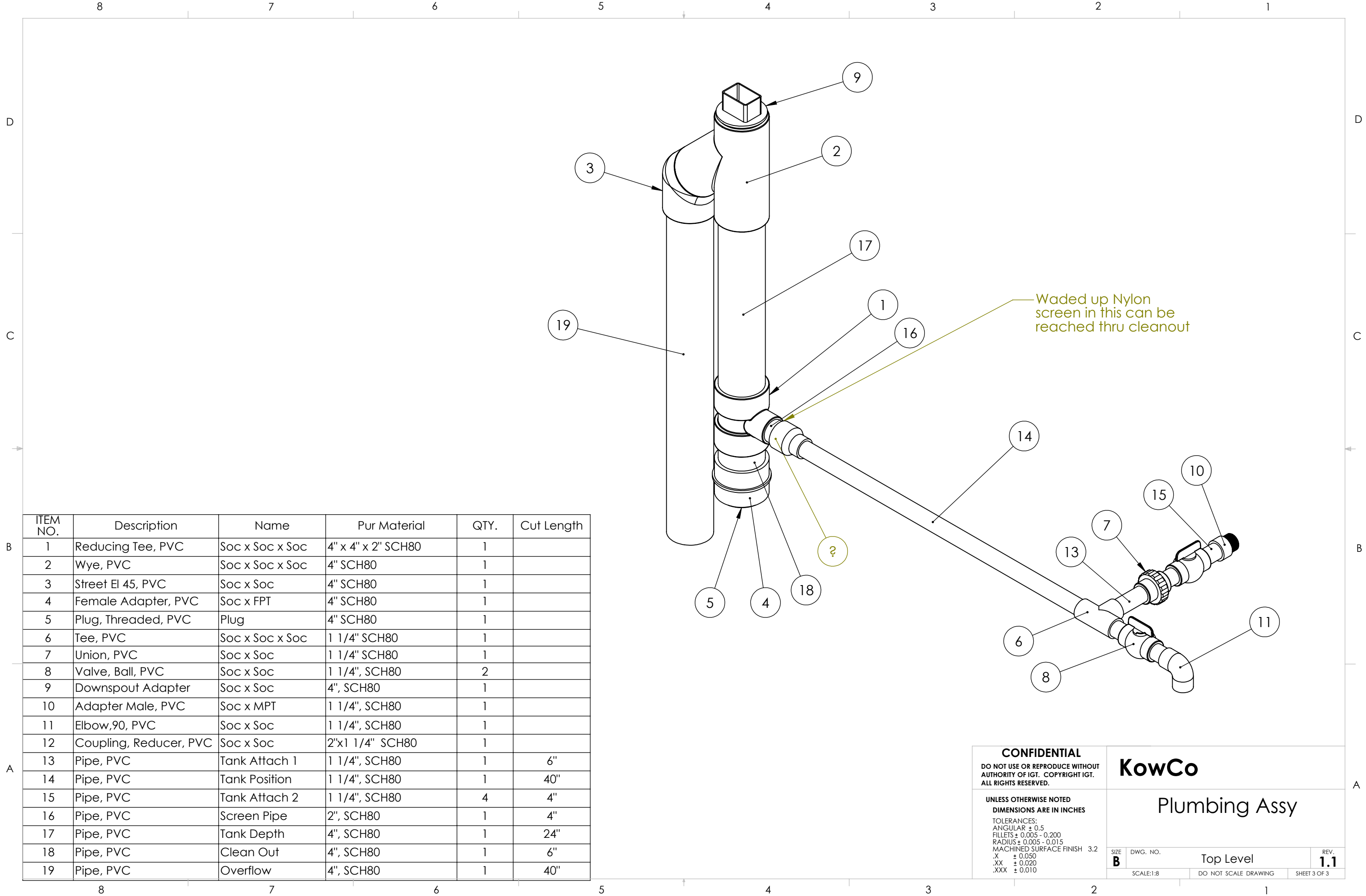
UNLESS OTHERWISE NOTED  
**DIMENSIONS ARE IN INCHES**  
 TOLERANCES:  
 ANGULAR ± 0.5  
 FILLETS ± 0.005 - 0.200  
 RADIUS ± 0.005 - 0.015  
 MACHINED SURFACE FINISH 3.2  
 .X ± 0.050  
 .XX ± 0.020  
 .XXX ± 0.010

**KowCo**

Stand

SIZE **B** DWG. NO. Top Level REV. **1.1**

SCALE:1:8 DO NOT SCALE DRAWING SHEET 2 OF 3



ITEM NO.	Description	Name	Pur Material	QTY.	Cut Length
1	Reducing Tee, PVC	Soc x Soc x Soc	4" x 4" x 2" SCH80	1	
2	Wye, PVC	Soc x Soc x Soc	4" SCH80	1	
3	Street El 45, PVC	Soc x Soc	4" SCH80	1	
4	Female Adapter, PVC	Soc x FPT	4" SCH80	1	
5	Plug, Threaded, PVC	Plug	4" SCH80	1	
6	Tee, PVC	Soc x Soc x Soc	1 1/4" SCH80	1	
7	Union, PVC	Soc x Soc	1 1/4" SCH80	1	
8	Valve, Ball, PVC	Soc x Soc	1 1/4", SCH80	2	
9	Downspout Adapter	Soc x Soc	4", SCH80	1	
10	Adapter Male, PVC	Soc x MPT	1 1/4", SCH80	1	
11	Elbow,90, PVC	Soc x Soc	1 1/4", SCH80	1	
12	Coupling, Reducer, PVC	Soc x Soc	2"x1 1/4" SCH80	1	
13	Pipe, PVC	Tank Attach 1	1 1/4", SCH80	1	6"
14	Pipe, PVC	Tank Position	1 1/4", SCH80	1	40"
15	Pipe, PVC	Tank Attach 2	1 1/4", SCH80	4	4"
16	Pipe, PVC	Screen Pipe	2", SCH80	1	4"
17	Pipe, PVC	Tank Depth	4", SCH80	1	24"
18	Pipe, PVC	Clean Out	4", SCH80	1	6"
19	Pipe, PVC	Overflow	4", SCH80	1	40"

<b>CONFIDENTIAL</b> DO NOT USE OR REPRODUCE WITHOUT AUTHORITY OF IGT. COPYRIGHT IGT. ALL RIGHTS RESERVED.		<b>KowCo</b>	
UNLESS OTHERWISE NOTED DIMENSIONS ARE IN INCHES TOLERANCES: ANGULAR ± 0.5 FILLETS ± 0.005 - 0.200 RADIUS ± 0.005 - 0.015 MACHINED SURFACE FINISH 3.2 .X ± 0.050 .XX ± 0.020 .XXX ± 0.010		Plumbing Assy	
SIZE <b>B</b>	DWG. NO. Top Level	REV. <b>1.1</b>	
SCALE:1:8	DO NOT SCALE DRAWING	SHEET 3 OF 3	